

**GROVE**

ANHAENGEKUPPLUNG  
TRAILER COUPLING

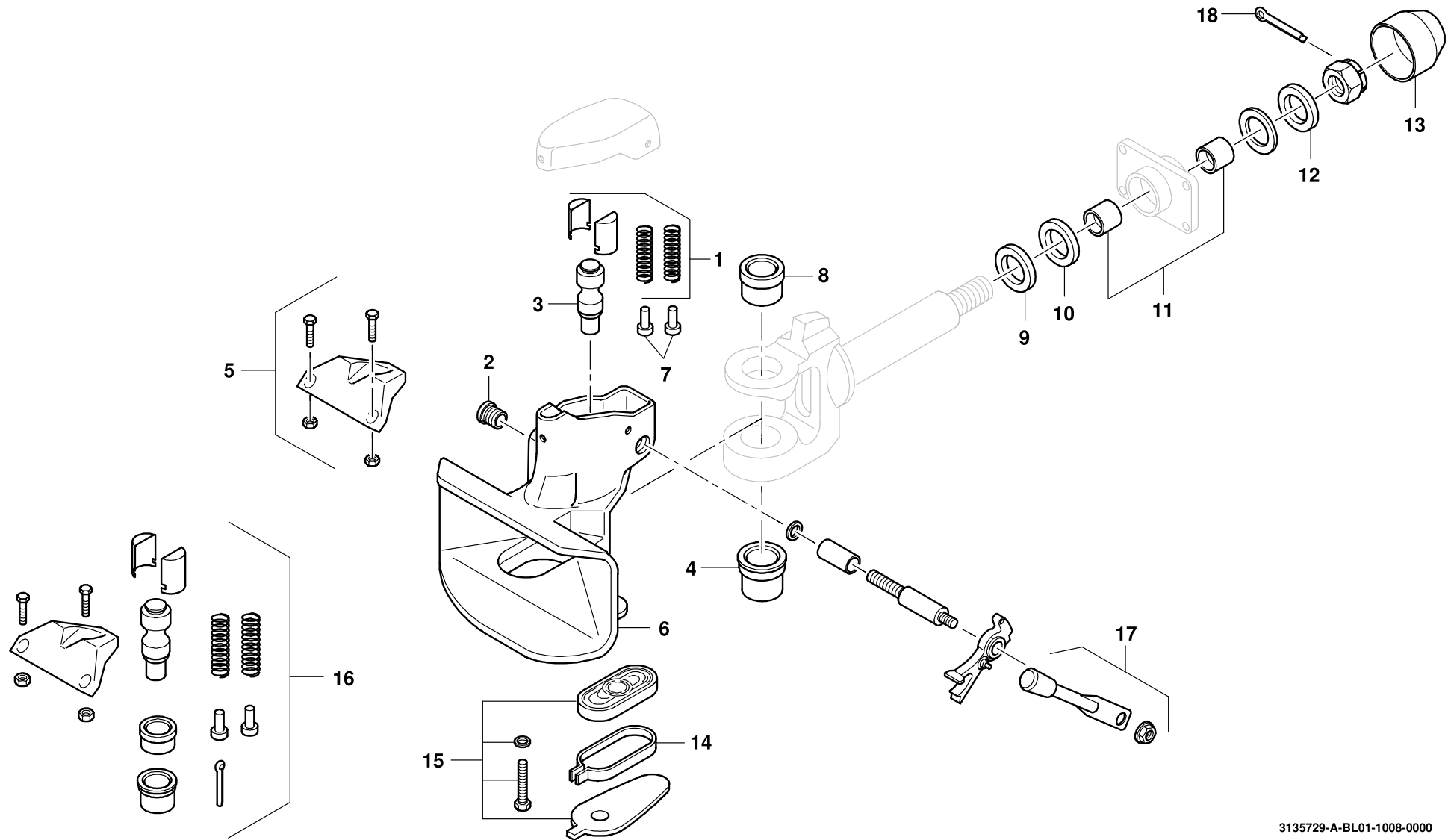
BILDТАFЕL  
PICTORIAL DISPLAY

**GMK 3050**  
**BE 758**  
**G 000**

10.08

**3135729-ETL A**

1/1



3135729-A-BL01-1008-0000